

Imagine having a career in the aeronautics and automotive sectors, designing components made with next-generation materials.

This is just part of what you can achieve by studying the **B.S. in Mechanical Engineering** at Tecnológico de Monterrey.

Competencies you will develop

- Implementation of manufacturing processes, integrating productivity and quality
- Development of systems that enable the generation and use of mechanical, thermal and/or electrical energy
- Innovative design of components and systems using advanced materials to address current challenges.

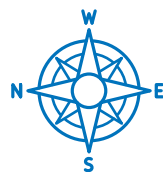
Careers

The best thing about studying at Tec is that you will be able to design your profile aligned with your interests, and work in a variety of fields, such as:

- Automotive and aeronautics sectors
- Energy sector
- Start up your own technology-based company to create mechanical systems
- Optimizing the manufacturing of a broad range of consumer goods

But you set the limits.

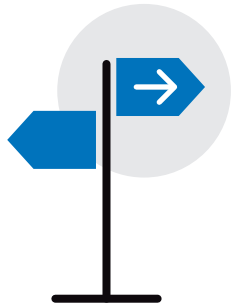
Is this the right path for you?



If you are skilled in **math and physics** and like knowing how things work, you are in the right place.



YOUR DEGREE AT TEC

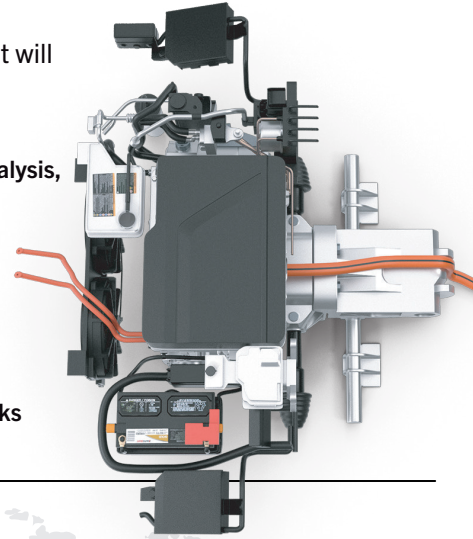


Your journey starts here

Why study B.S. in Mechanical Engineering at Tecnológico de Monterrey?

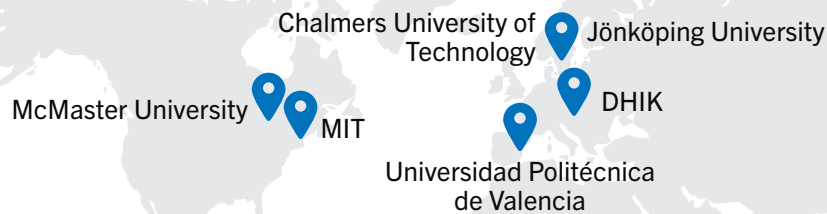
On entering Tec, you will form part not only of a community, but also of an entire ecosystem that will allow you to:

- Form part of a 70-year-old degree
- Use of cutting-edge computer tools in design, analysis, simulation and digital manufacturing
- Multidisciplinary perspective applying relevant methodologies
- Design of high-tech components and systems integrating constraints, sustainability, and current regulations.
- Mechanical Engineering at Tec de Monterrey ranks #68 in the QS World Ranking.



Study abroad

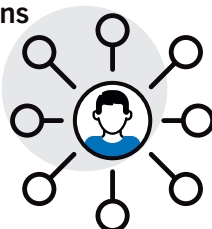
We want you to have an international profile and, to achieve this, we have partnered with the top universities in the world for this subject.



Network

As a student, you will have the opportunity to develop projects in your degree program with leading companies and education partners, such as:

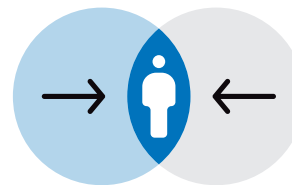
- Ford
- Audi
- Metalsa
- Rassini
- MathWorks
- Siemens
- GE



Specialize

While studying at Tec, you will have the opportunity to choose a **concentration**, gain experience, and create a unique, tailor-made professional profile. The available options include:

- Aeronautical Engineering
- Automotive Engineering
- Industry 4.0
- Advanced Materials



WOULD YOU LIKE MORE INFORMATION?



Scan the Code to learn more about this degree.
tec.mx/im